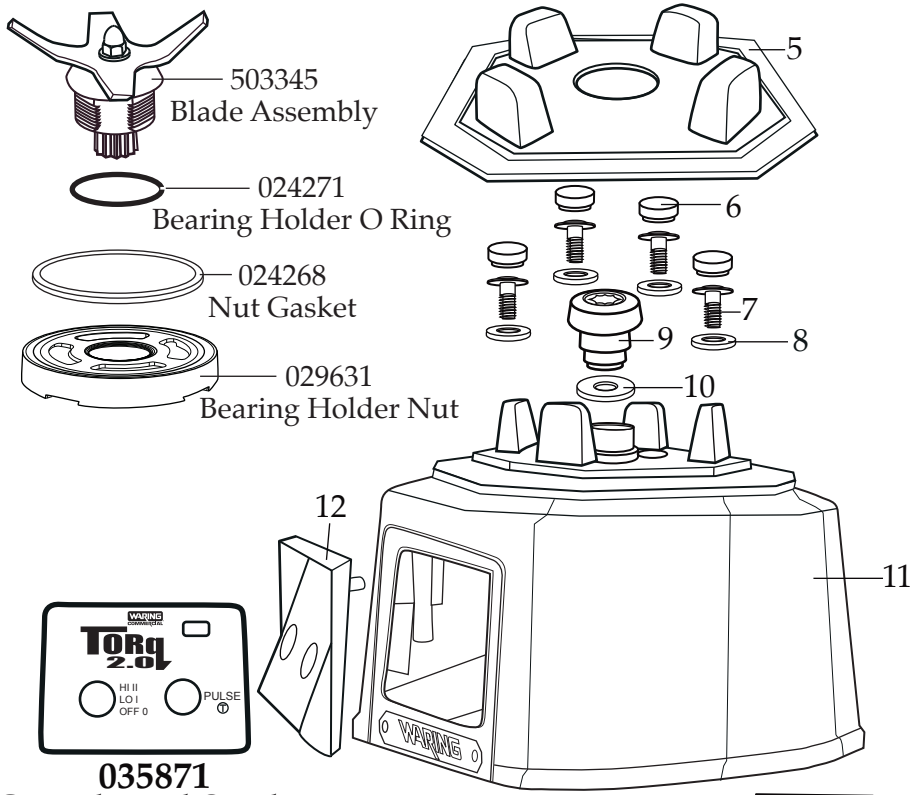
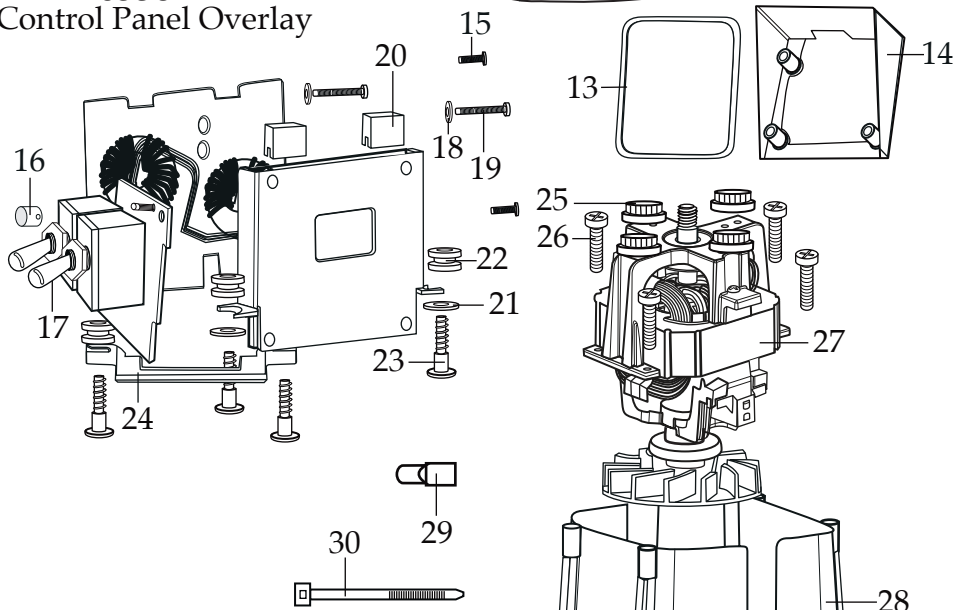


WARING COMMERCIAL®

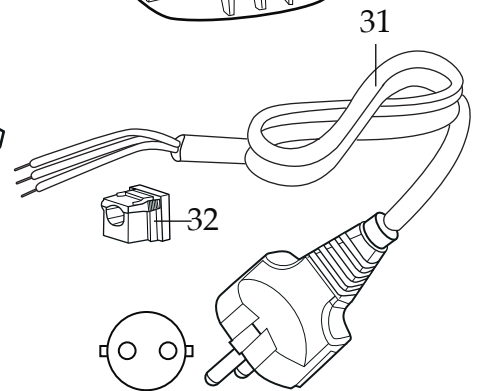
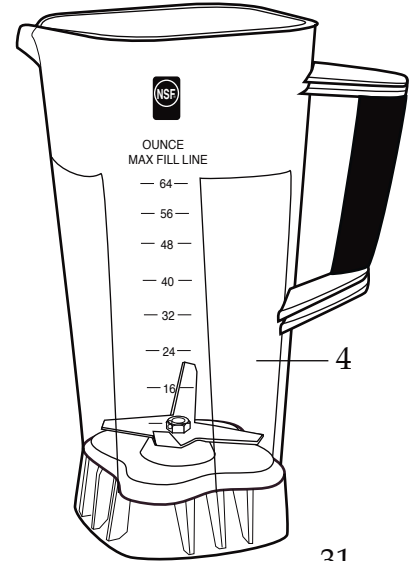
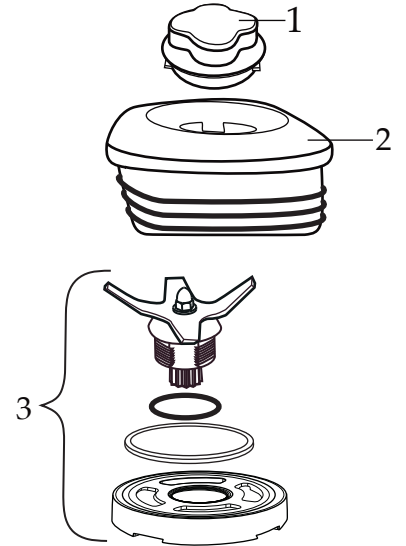
Europe **TORq 2.0** Blender
with 2 Toggle Switches and
64 oz. Copolyester Container
TBB145P6E



035871
Control Panel Overlay



Date Code Location
YY|MM|DD
year|year|month|month|day|day

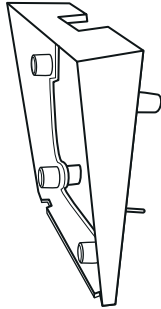


	Illustration#	Part#	Description
	1	026425-E	Eastman Jar Lid Cover
	2	026424-V	Vinyl Jar Lid
	3	031060	Blending Asssembly Kit
bly	4	026423-E 503347	64 oz. Container ONLY 64 oz. Container with Blending Assembly
	5	035885 035091	Jar Pad (<i>changed after 7/6/2018</i>) Jar Pad (use 035885)
	6	035085	Hole Plug (4 required)
	7	034275	Sems (4 required)
	8	034273	B Gasket (4 required)
	9	037034 035251	Drive Goupling (<i>on units after 11/15/2019</i>) Drive Coupling
	10	037033	Coupling Washer (<i>on units after 11/15/2019</i>)
	11	503609 503460-145-E	Top Housing Assembly with Badge (<i>on units after 9/28/2022</i>) Top Housing Assembly
bly	12	035080	Control Housing Front Bezel (<i>on units after 9/28/2022</i>)
	13	038576	Housing Control Seal (<i>on units after 9/28/2022</i>)
	14	035083	Back Bezel (<i>on units after 9/28/2022</i>)
	15	035090	Screw (2 required)
	16	035253	LED Lens
	17	035163	TBB145 230 volt Control Panel Assembly
	18	035255	Washer (2 required)
	19	035089	Screw (2 required)
	20	034900	PCB Cushion (2 required)
	21	013604	Washer (2 required)
	22	034904	Rubber Grommet (4 required)
	23	034902	Sems (4 required)
	24	035894	Control Board Bracket
	25	034272	A Gasket (4 required)
	26	034274	Screw (4 required)
	27	035816 035475	Chiaphua Motor No Sensor (<i>on units after 2/26/2018</i>) ECM Motor
	28	503483	Motor Housing with Dampeners
	29	012409 019123	Small Crimp Connectors (2 required) Large Crimp Connector (3 required)

Illustration#	Part#	Description
30	013731	Cable Ties (6 required)
31	017948	Cordset
32	033619	Strain Relief
33	503480 035079	Bottom Housing Assembly with Feet Bottom Housing
34	034274	Screw (4 required)
35	035088	Foot (4 required)

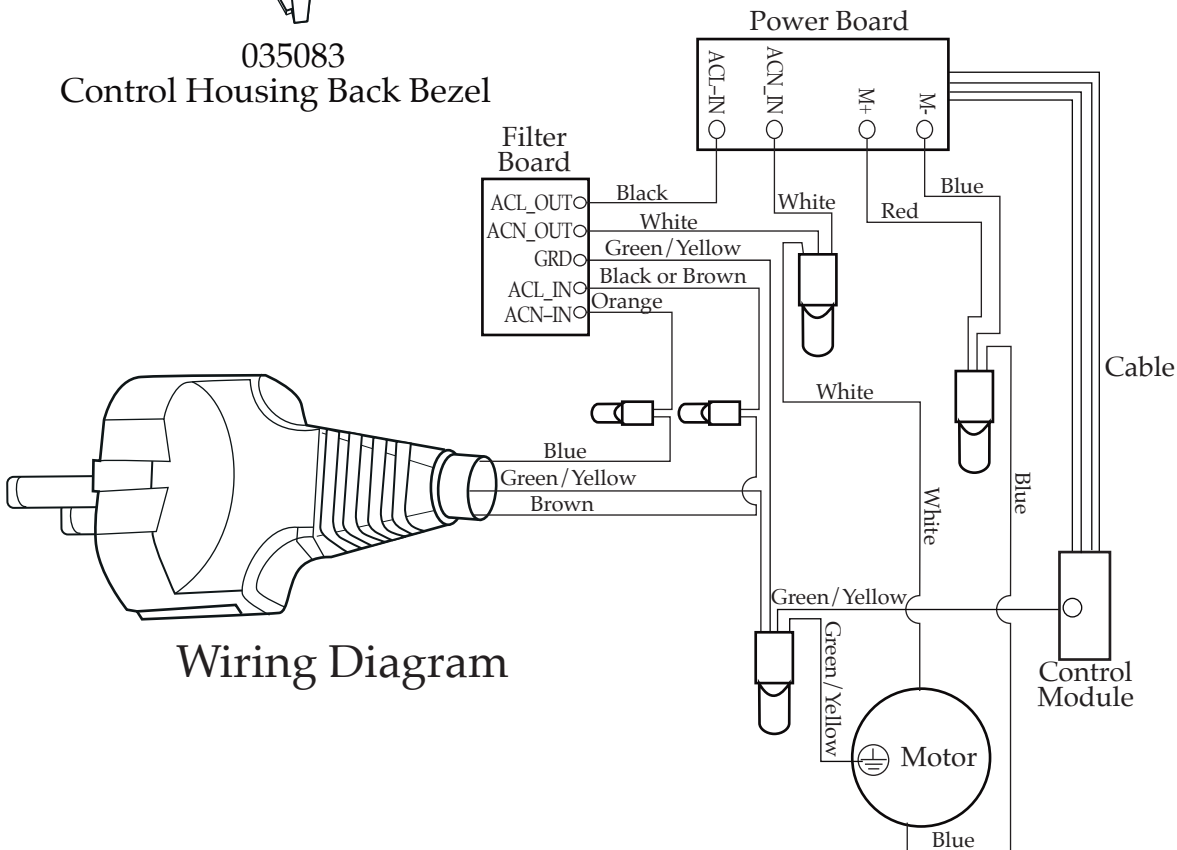
Part No Longer Used

(last used on 5/13/2020)



035083

Control Housing Back Bezel



Wiring Diagram